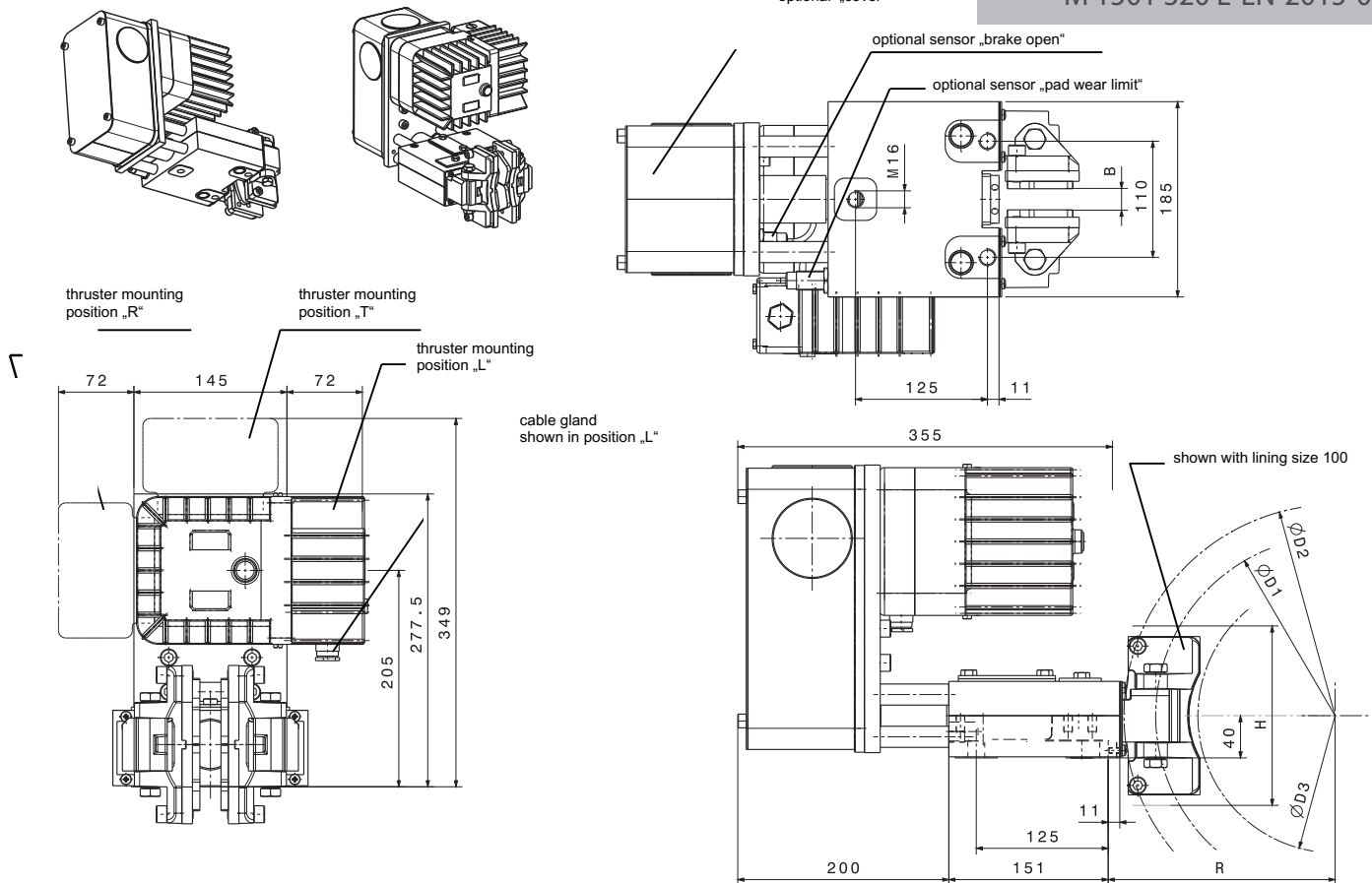


# COMPACT CALIPER BRAKE

## CB8-E

M 1501 320 E-EN-2015-05



### COMPACT CALIPER BRAKE CB8-E

FAIL-SAFE, ELECTRO-HYDRAULIC RELEASE

options: manual release, sensors „open“ and „pad wear limit“, closing delay

B = disc width in mm, standard = 20 mm, optional: 12,7; 16; 25; 30

Ø D2 = outer disc diameter in mm

linings: = size 50 standard: organic (suitable for max.circumferential speed  $v_{max} = 35m/sec.$ )

= size 50 optional: Sinter

= size 100 standard: Sinter (for discs  $D2 \geq \text{Ø}250$ )

weight = 25 kg (without thruster)

= 35 kg (including thruster)

### TECHNICAL DATA FOR THRUSTER EDC 100/30

motor power: 250 W

voltages: 230, 400, 500 & 690 V, 3~, 50 Hz, other voltages and 60 Hz upon request

current consumption: 0,45 A at 400 V, 3~, 50 Hz

oil volume: 1,5 l

closing time: approx. 0,25 sec.(at max. MBr)

operating cycles: S3 – 60 % ED, 240 c/h

for ambient temp.: -25°C to +50°C

NOTE:

other ambient temperatures and operating cycles upon request

[ H\* for B > 25 mm ]

dimensions depending on selected lining size

CB8-E	ØD1	ØD3	R	H (H*)	
-50 (with lining size 50)	ØD2 – 46	ØD2 – 110	D2 / 2 + 19,5	110 (130)	
-100 (with lining size 100)	ØD2 – 60	ØD2 – 140	D2 / 2 + 15	152 (170)	
braking torque in Nm ( $\mu = 0,4$ ) on disc-Ø D2, adjustable from / to					
	Ø 200	Ø 250	Ø 315	Ø 400	Ø 500
CB8-E-50	80-300	110-400	140-530	180-700	n.a.
CB8-E-100	n.a.	350-680	460-910	620-1220	800-1580